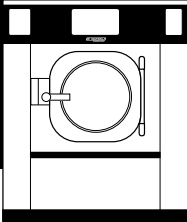




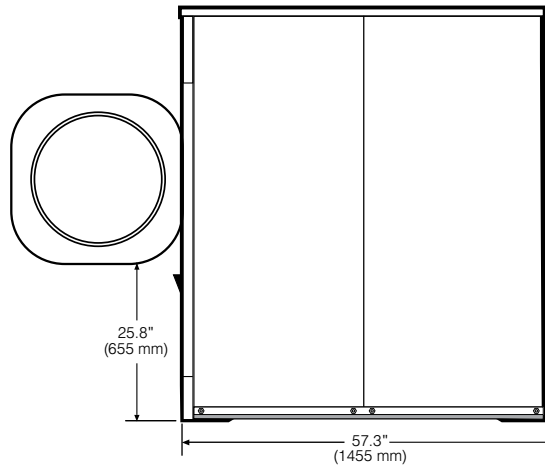
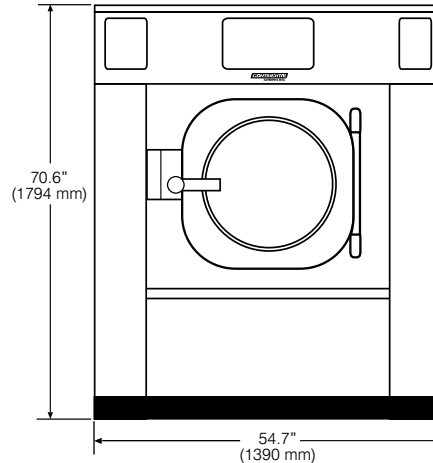
2500 State Road 44 • Oshkosh, WI 54904
 920.231.8222 • FAX 920.231.4666
www.continentalgirbau.com



EH090

**VENDED EXPRESSWASH 90-POUND CAPACITY
 HIGH-PERFORMANCE WASHER-EXTRACTOR**

Capacity <i>lbs (kg)</i>	90 (39.5)
Cylinder Diameter <i>inch (mm)</i>	35.4 (900)
Cylinder Depth <i>inch (mm)</i>	24.4 (621)
Cylinder Volume <i>cu ft (dm³)</i>	13.9 (395)
Net Weight <i>lbs (kg)</i>	3106 (1409)
Crated Weight <i>lbs (kg)</i>	3405 (1544)
Machine Width <i>inch (mm)</i>	54.7 (1390)
Machine Depth <i>inch (mm)</i>	57.3 (1455)
Machine Height <i>inch (mm)</i>	70.6 (1794)
Door Opening <i>inch (mm)</i>	22 (558)
Floor to Door <i>inch (mm)</i>	25.8 (655)
Shipping Dimensions <i>inch (mm)</i> (WxDxH)	59.8 x 62.2 x 79.9 (1520 x 1580 x 2030)
Washing Speeds <i>rpm</i>	40
Spin Speeds <i>rpm</i>	40/79/300/490/680/870
G-force	0.81/3.15/45/121/233/381
Static Force Transmitted <i>lbs (kg)</i>	3547 (1609)
Dynamic Force Transmitted <i>lbs (kg)</i>	556 (252)
Frequency of Dynamic Force <i>Hz</i>	14.5
Available Voltage	208-240/60/3
Wire Conductor/Amp	3W + G, 16 Amp
Drain Diameter <i>inch (mm)</i>	3 (76)
Water Inlets <i>inch (mm)</i>	1 (25.4)
Recommended Water Pressure <i>PSI (bar)</i>	30-60 (2-4)
Water Flow <i>gal/min (l/min)</i>	26 (100)
Motor Power <i>kW</i>	4.8



* Specifications subject to change without notice or obligation. Call Continental Girbau, Inc for dimensions not shown or for clarification.

